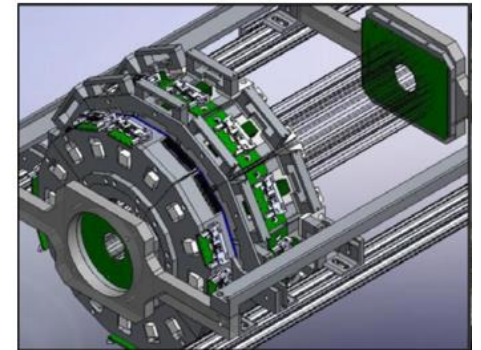
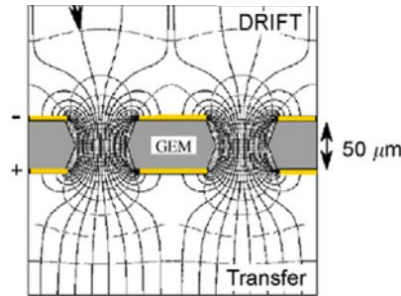
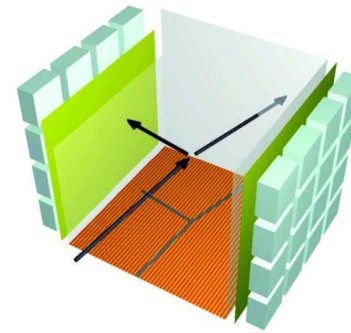
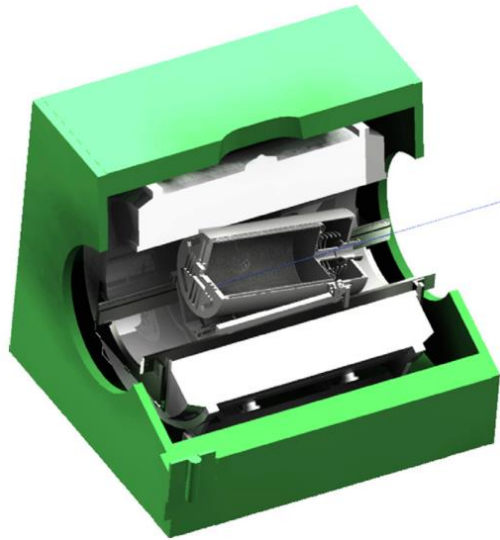


# Active-targets for rare isotope beams



Review article covers basic topics for active-target detectors used for radioactive isotopes far from stability.

- General topics concerning active-target detectors are covered, including geometry, signal amplification, and electronic chains.
- Many examples of past, present active-target detectors including ones currently under development are covered as examples

